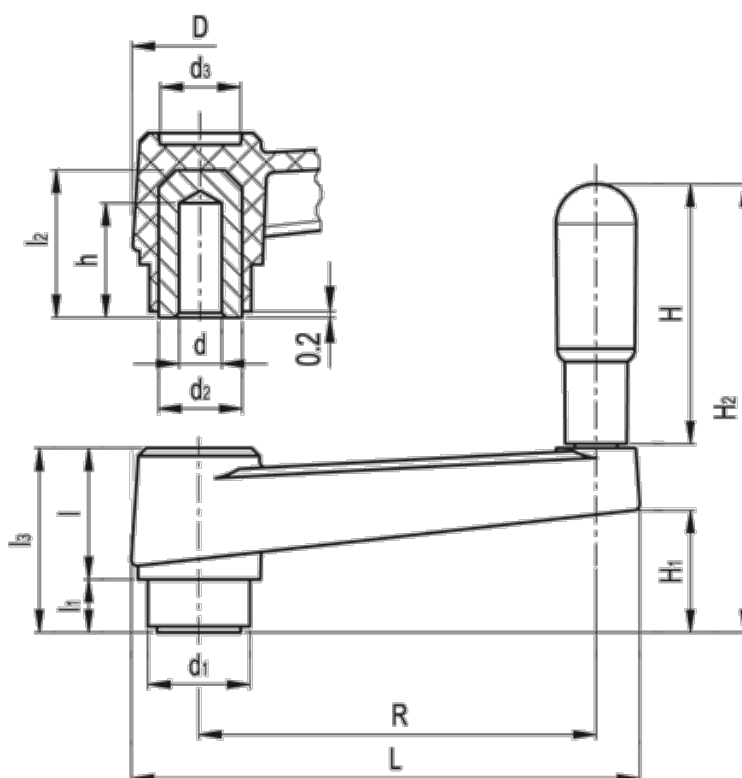


# Data Sheet



Article number: 2301044113  
Description: E+G Crank handle  
MT.64-AT

## Measures



D	= 27	H2	= 78
d1	= 20.0	l	= 23
d2	= 15	L	= 86
d3	= 16	l1	= 9
d H7	= 8	l2	= 25
H	= 45	l3	= 32
h	= 20	R	= 64
H1	= 18.5	Weight (g)	= 65